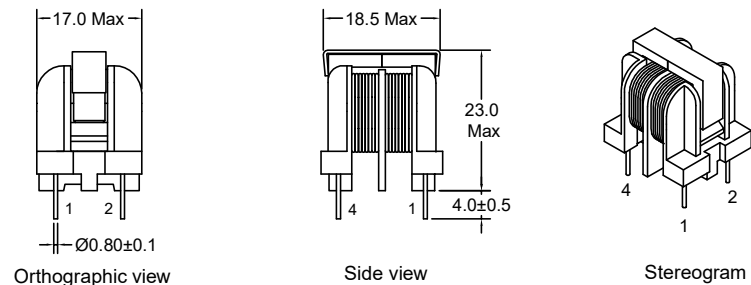


P/N: FAPL10VH-103Y0R5



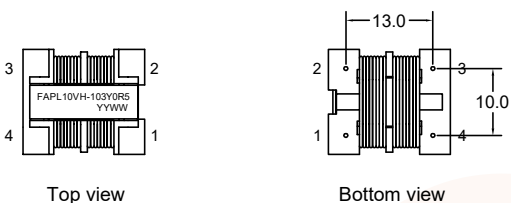
Outline Dimensions (Unit:mm)



Orthographic view

Side view

Stereogram

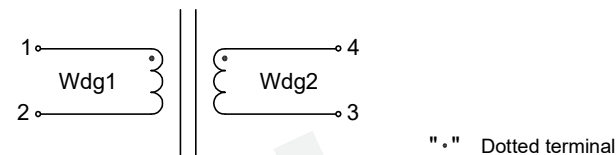


Top view

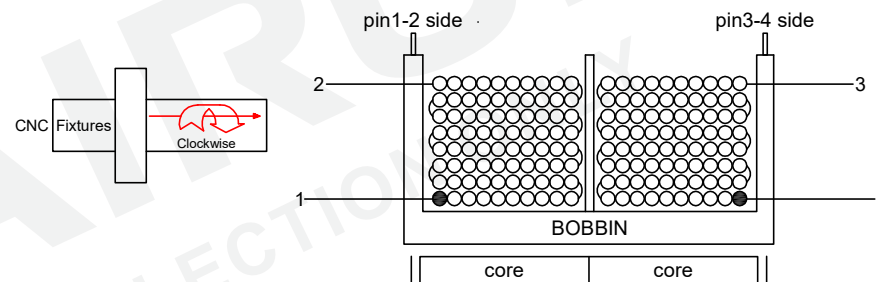
Bottom view

REMARK:
1. Product vacuum impregnation.

Electronical Schematic



Winding Construction:



Electrical Characteristics

Inductance : L1-2=4-3= 10.0mH Min,at 10KHz,0.1V.
Rated current : 500mA.
D.C.Resistance : 1-2= 0.84 ohms Max.
4-3= 0.84 ohms Max.
Turns Ratio : Wdg1:Wdg2=1:1±1%,at 20KHz,1V.
Hipot : Coil-Coil : 1500VAC/3mA/2S.

List of UL Certificate:

| No. | Part Name | Mat'l Description | Supplier | UL Number |
|-----|-------------|-------------------|--|-----------|
| 1 | Bobbin | UU-1052/T375J | Chang Chun Plastics Co Ltd | E59481 |
| | | | | |
| 2 | Copper wire | 2UEW-F/155C | Dong Guan YiDa Industrial Co Ltd | E344055 |
| | | 2UEW-F/155C | Elektrisola Hangzhou Co Ltd | E258243 |
| 3 | Core | UU10.5 TS10 | TDG Holding Co Ltd | N/A |
| | | UU10.5 GH10 | Su Zhou Guanda Magnet Co Ltd | N/A |
| 4 | Clip | UU10.5/SUS301 | Chuangshun Hardware Electronic Factory | N/A |
| 5 | Varnish | T-4260(a)/MW80-C | SuZhou TaiHu Electric Advanced Material Co Ltd | E228349 |

| | | | | | | | | |
|-----|-------------|------|------|---|--|---|--|---|
| | | | | Tianchang Fuan Electronic Co Ltd www.fuantronics.net TEL: +86-550-7814888 FAX: +86-550-7831133 | Tolerances unless otherwise specified: (.X)±0.50 (XX)±0.25 Unit of measurement: mm | Make: Qiumei.Liu Checked: Beson. zhan Approved: Anson. zhan | DRAWING TITLE UU10.5VH COMMON-CODE FILTER INDUCTOR Material Number: A24PL105S040 | Customer P/N: Document/Rev: 00 Specification Sheet: 1 of 2 Date of Recognition: Dec./23/2019 |
| REV | DESCRIPTION | APPD | DATE | | | | | |

P/N: FAPL10VH-103Y0R5



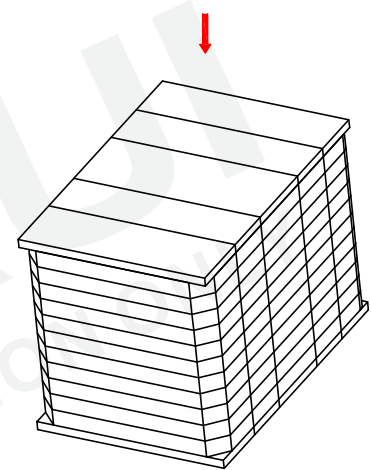
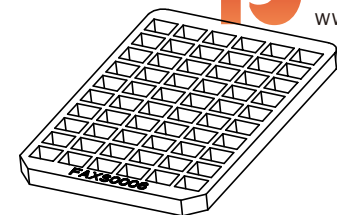
General Properties:

Operating Temperature: -40°C to +125°C
 (Temperature rise included).
 Storage Temperature: -25°C to +85°C.
 Storage Humidity: RH10%~70%.
 Weight: ≈7.5g.

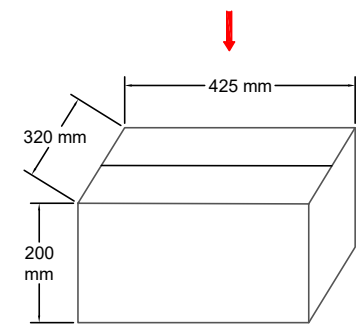
Wave Soldering



Note:
 1. Never Contact the ceramic with the iron tip;
 2. 1.0mm tip diameter(max).



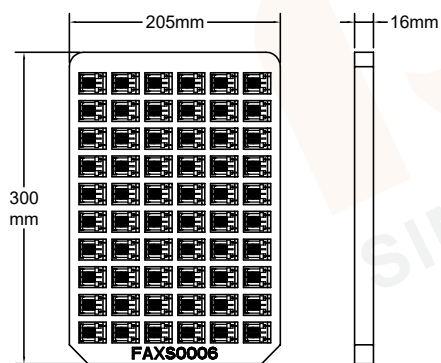
Quantity: 660pcs/Reel



Outer cases: 1320pcs/box
 Insufficient boxes filled with inner boxes or fillers

Packaging Specification:

Blister tray:



1. 60 products are placed on one blister disc, 11 blister discs are fixed together, and a cardboard is placed at the top and bottom respectively.
2. 22 plastic suction cups (1320 pcs) in one box.
3. Blister tray: UU10.5(FAXS0006).
 Carboard: 295*200*3mm.
 Carton: 425*320*200mm.

| | | | | | | | | |
|-----|-------------|------|------|---|--|---|--|---|
| | | | | Tianchang Fuan Electronic Co Ltd www.fuantronics.net TEL: +86-550-7814888 FAX: +86-550-7831133 | Tolerances unless otherwise specified: (.X)±0.50 (XX)±0.25 Unit of measurement: mm | Make: Qiumei.Liu Checked: Beson. zhan Approved: Anson. zhan | DRAWING TITLE UU10.5VH COMMON-CODE FILTER INDUCTOR Material Number: A24PL105S040 | Customer P/N: Document/Rev: 00 Specification Sheet: 2 of 2 Date of Recognition: Dec./23/2019 |
| REV | DESCRIPTION | APPD | DATE | | | | | |